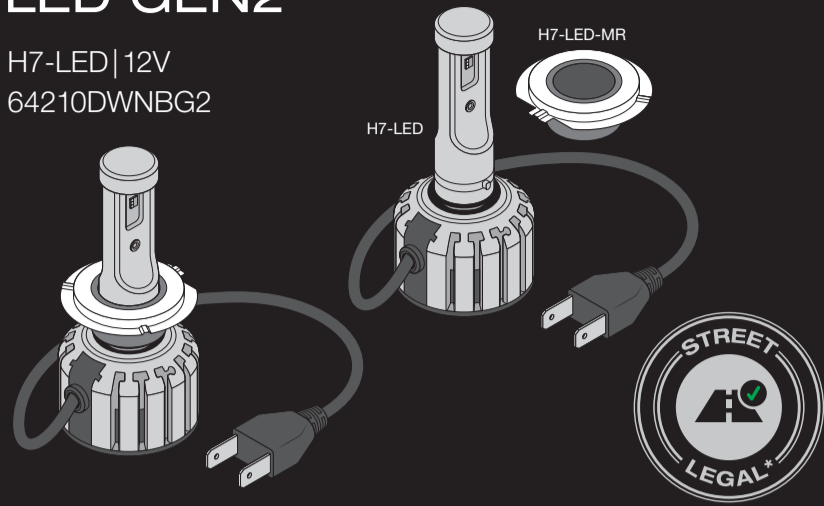


NIGHT BREAKER® LED GEN2

H7-LED | 12V
64210DWNBG2



* Applies only to vehicle models and light functions on the current compatibility list and in the respective country. For more details see www.osram.com/nb-led¹⁾

NIGHT BREAKER® LED GEN2

H7-LED | 12V
64210DWNBG2

<http://www.osram.com/am-installation>

For questions regarding maintenance or technical problems, please contact OSRAM customer service via automotive-service@osram.com¹⁾

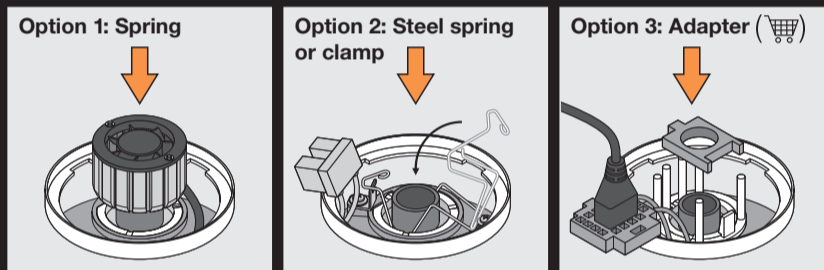
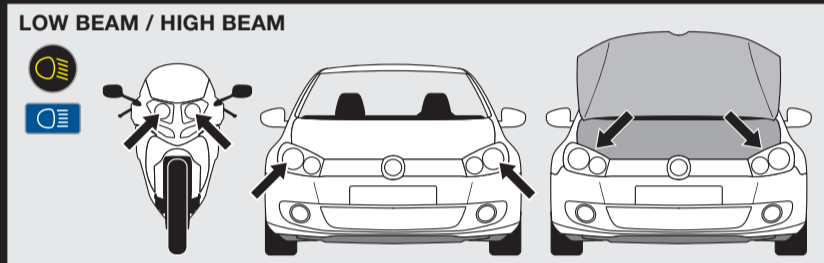


OSRAM Prosperity Co. Ltd
Room 4007-4009 Office Tower
Convention Plaza
1 Harbour Road
Wanchai, Hong Kong

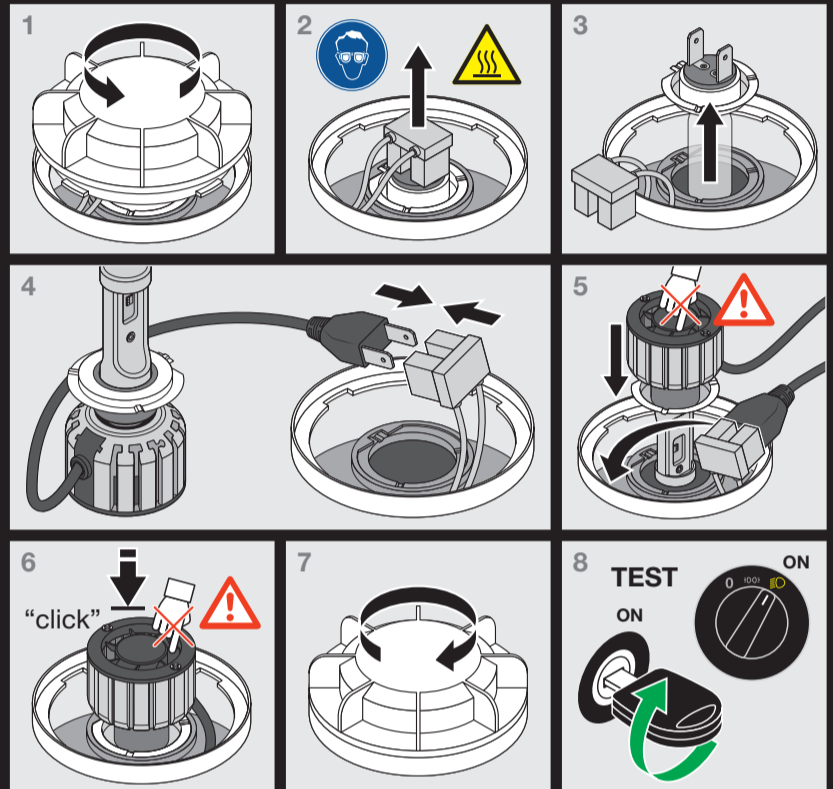
www.osram.com/am-guarantee

C15122315
G15124973
24.07.23

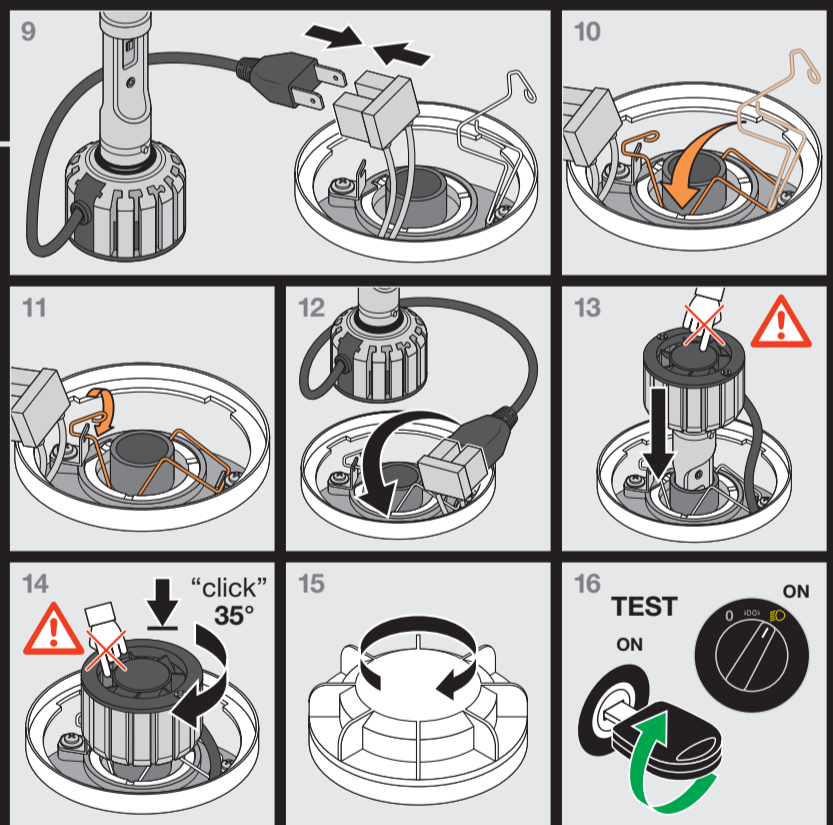
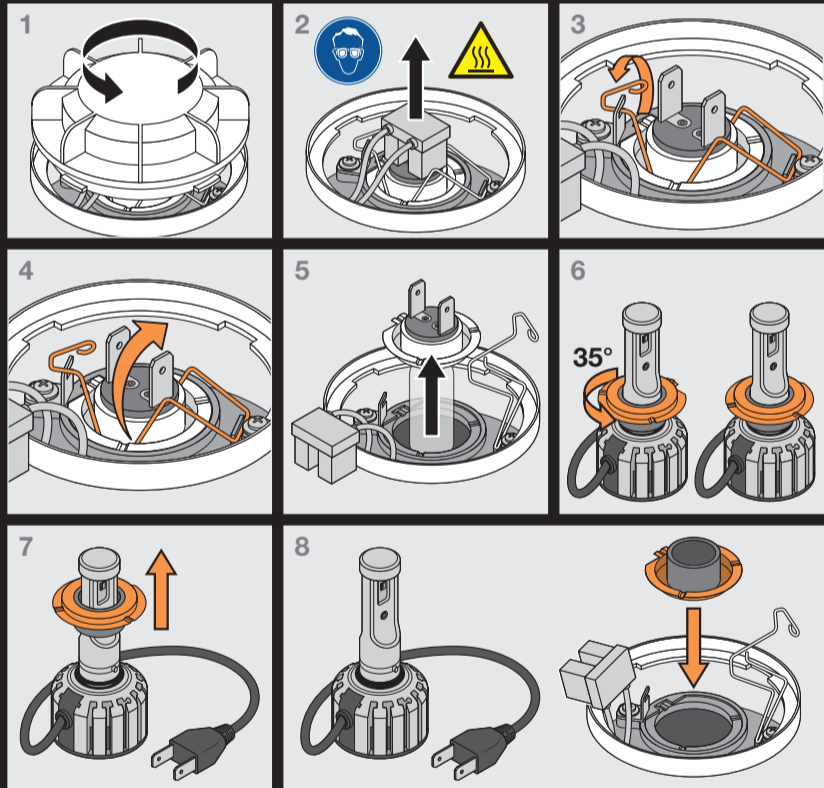
OSRAM GmbH
Nonnendammallee 44
13629 Berlin
Germany
www.osram.com



Option 1: Spring



Option 2: Steel spring or clamp



Option 3: Adapter

Refer to the specific installation instructions of the adapter for detailed information.¹⁰⁾

Vehicle	Adapter
Vehicle A	64210DA**
Vehicle B	-
...	-
...	-

